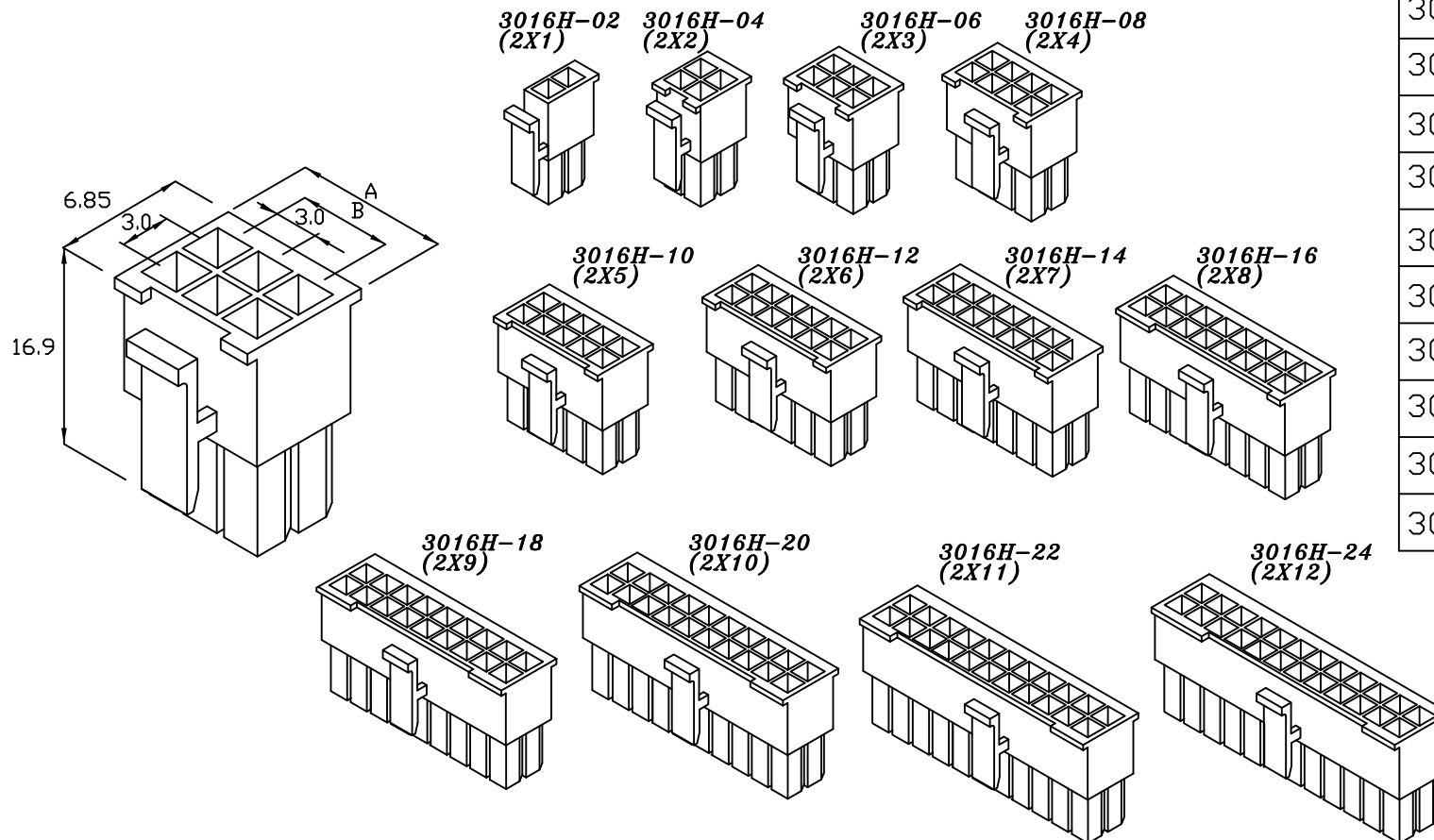


3016H .118" (3.0mm) PITCH CRIMP HOUSING

Features:

- * 3016H SERIES
- * MAT'L: NYLON 66 UL94V-0
- * MATES WITH: 3016 TERMINAL
- * ACCEPTS WITH: 3015H SERIES HOUSING



PART NO.	A	B
3016H-02 (2X1)	3.85	
3016H-04 (2X2)	6.85	3.0
3016H-06 (2X3)	9.85	6.0
3016H-08 (2X4)	12.85	9.0
3016H-10 (2X5)	15.85	12.0
3016H-12 (2X6)	18.85	15.0
3016H-14 (2X7)	21.85	18.0
3016H-16 (2X8)	24.85	21.0
3016H-18 (2X.9)	27.85	24.0
3016H-20 (2X10)	30.85	27.0
3016H-22 (2X11)	33.85	30.0
3016H-24 (2X12)	36.85	33.0