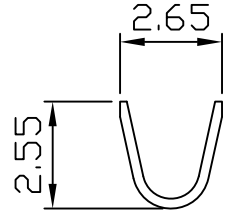


2011 BOARD IN TERMINAL

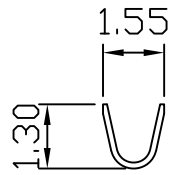
Features:

unit:mm

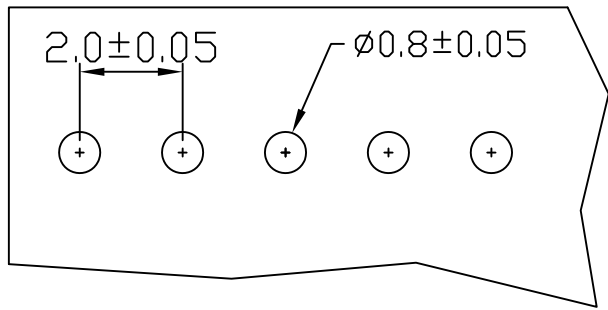
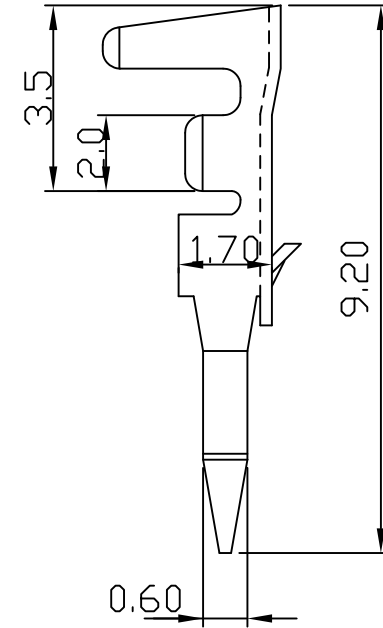
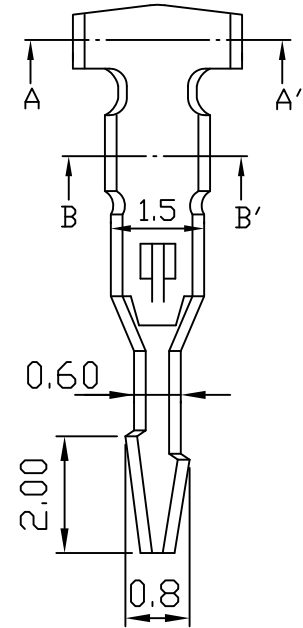
- * THICKNESS: 0.2mm
- * MAT'L: BRASS TIN PLATED
- * MATES WITH: 2010 SERIES HOUSING
- * TERMINAL SOLDER DIRECTLY TO P.C.B
- * SUITABLE FOR 1.6mm OR 1.2mm THICKNESS P.C.B



Section A-A'



Section B-B'



P.C. BOARD LAYOUT

PART NO.	WIRE RANGE	INSULATION O.D.	MATERIAL	FINISH	QTY/REEL
2011	AWG#24-#30	ø1.4mm MAX	BRASS	Tin-plated	10,000