

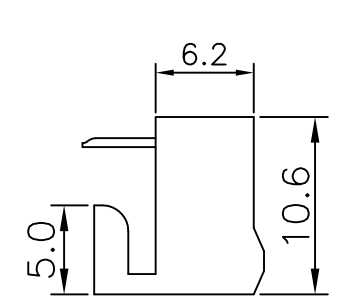
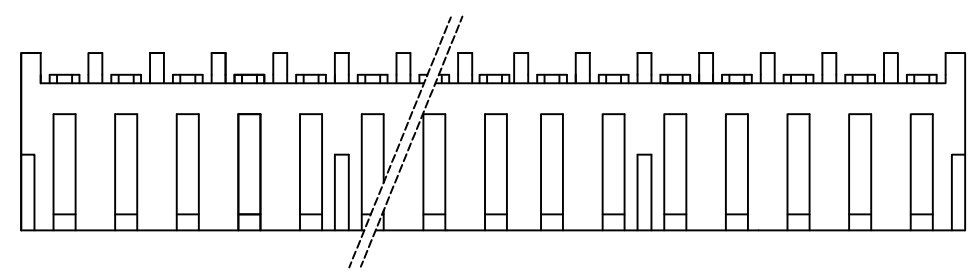
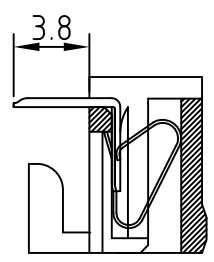
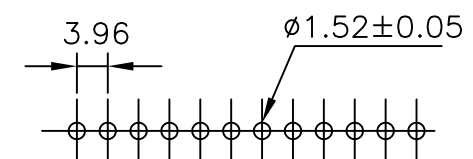
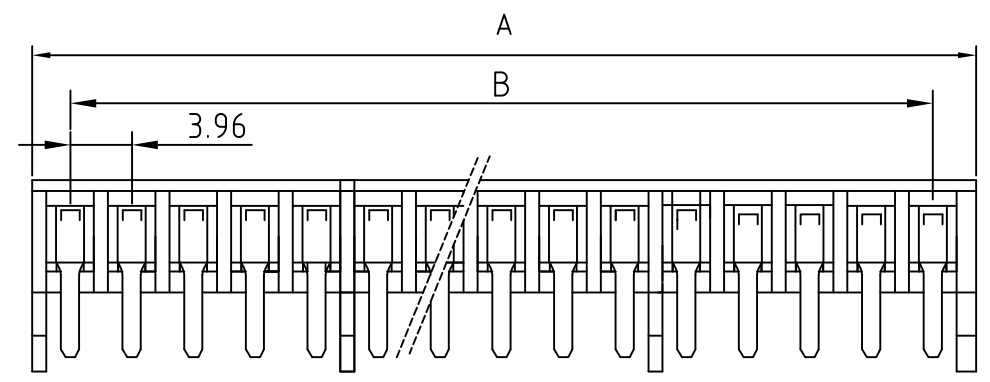
D396R D396S .156" (3.96mm) PITCH PC BOARD CONNECTOR

unit:mm

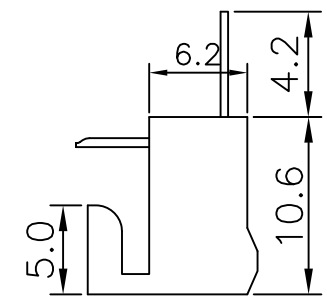
Features:

- * INSULATOR: NYLON 66 UL94V-2 OR UL 94V-0
- * CONTACT: BRASS TIN PLATED

PART NO.	DIM"A"	DIM"B"
D396R-08	39.8	27.72
D396R-15	59.8	55.44



D396R



D396S