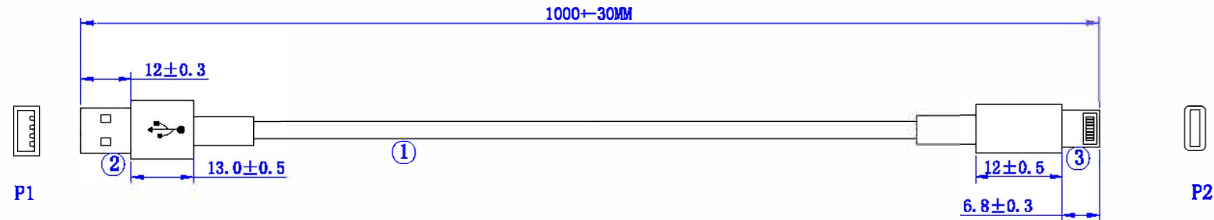
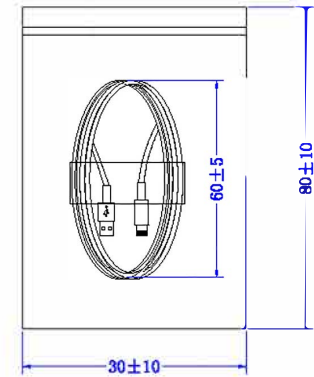
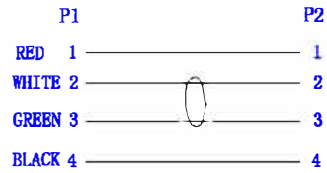


MOLD NO. RFQ NO.P000109

REV.	DESCRIPTION	APPD.	DATE
A	INITIAL RELEASED	WANG	01/26/16'



PIN ASSIGNMENT



BAG/1PCS

NOTE:

- 100% OPEN AND SHORT ELECTRICAL TEST.
- TESTING CONDITIONS:
INSULATION RESISTANCE: 30 Mohms min.
CONTACT RESISTANCE: 2 Ohms max.
- This is a RoHS assembly.

		UNDECLARED TOLERANCE		CUS P/N:		FLECONN PRECISION INDUSTRY (CHINA) CO., LIMITED		
		X.±1.0	X.*±2.0'					
③	Connector	Lightning 8PIN plating G/F three packaged	1 Set	.X±0.5	.X*±1.0'	PART NO.: 61012-01		TITLE: USB to Lightning cable for iphone 5/6 - 1m
②	Connector	USB 2.0 PIN plating G/F three packaged	1 Set	.XX±0.2	.XX*±0.5'			
①	CABLE	19/0.08TC*2C Red/black+11/0.08*1P Green/white +AL Jacket TPE White OD=2.6±0.2mm	1M	UNITS: MM		APPD.:		DWG NO.: D0041
				THESE DRAWINGS AND SPECIFICATIONS ARE THE PROPERTY OF Fleconn AND SHALL NOT BE REPRODUCED, COPIED OR USED IN ANY MANNER WITHOUT THE PRIOR WRITTEN CONSENT OF Fleconn.		CHKD.:		SCALE SHEET REV.
ITEM	PART NAME	DESCRIPTION	QTY	DR.: HWJ_01/26/16'		1:1 1/1 A		